



Grid-connected PV Inverter
Three Phase Dual MPPT

User Manual

RCM-4-TP-D/RCM-5-TP-D/RCM-6-TP-D/RCM-8-TP-D/
RCM-10-TP-D/RCM-12-TP-D/RCM-15-TP-D/ RCM-17-TP-D/
RCM-20-TP/ RCM-25-TP-D

CONTENTS

1. Preface	5
1.1 Overview.....	5
1.2 Target Groups.....	5
2. Safety Instructions	5
2.1 Safety Notes	5
2.2 Statement.....	5
2.3 Important Safety Matters	6
2.4 Symbols Explanation.....	7
3. Product Introduction	9
3.1 Basic Features	9
3.2 Appearance Introduction	10
3.3 Display Interface	12
3.4 Packing List.....	13
4. Product Installation	13
4.1 Selection of Installation Location.....	13
4.2 Mounting the Inverter.....	15
4.3 Electrical Connection	17
4.4 Monitoring Device Installation.....	22
4.5 RS485/DRED Connection.....	23
4.6 System Layout of Units without Integrated DC Switch	26
5. Start and Stop	27
5.1 Start Inverter.....	27
5.2 Stop Inverter	27
6. General Operation	28
6.1 Display Operation	28
6.2 Auto-Test.....	29
7. Troubleshooting	30
7.1 Fault Messages	30
7.2 Maintenance.....	31
8. Technical Parameters	32

Attention

The products, services or features you purchase are subject to the commercial contracts and terms of RECOM TECHNOLOGIES. All or part of the products, services or features described in this document may not be within your purchasing or using scope. Unless otherwise agreed in the contract, the Company shall not make any express or implied declaration or guarantee of the contents of this document.

Due to product version upgrades or other reasons, the contents of this document will be updated periodically. Unless otherwise agreed, this document serves only as a guide to use, and all statements, information and recommendations in this document do not constitute any express or implied guarantee.

RECOM SILLIA SAS

Address: 4 Avenue Pierre Marzin, Lannion, 22300, France

Website: www.recom-solar.com

Service Mail: info@recom-solar.com

Hotline: +33 255030861



1. Preface

1.1 Overview

This manual is an integral part of RECOM RCM 4~25-TP series three-phase inverters (hereinafter referred to as the inverters). It mainly introduces the assembly, installation, electrical connection, debugging, maintenance and troubleshooting of the products. Before installing and using inverters, please read this manual carefully, understand the safety information and be familiar with the functions and characteristics of inverters.

1.2 Target Groups

This manual is applicable to the electrical installers with professional qualifications and the people who bought this inverter. If there are any problems in the installation process, please call RECOM TECHNOLOGIES service telephone at [+33 255030861](tel:+33255030861) or email RECOM TECHNOLOGIES at technical@recom-solar.com for consultation.

2. Safety Instructions

2.1 Safety Notes

2.1.1 Before installation, you should read this manual carefully and follow the instructions in this manual strictly.

2.1.2 Installation operators need to undergo professional training or obtain electrical related professional qualification certificates.

2.1.3 When installing, do not touch any part of the inner part of the inverter except the terminals.

2.1.4 All electrical installations must conform to local electrical safety standards.

2.1.5 If the inverter needs maintenance, please contact the local designated personnel for system installation and maintenance.

2.1.6 To use this grid-connected inverter for power generation needs the permission of the local power supply authority.

2.1.7 During the operation of the inverter, the surface temperature may be higher and there is a risk of burns. Do not touch.

2.1.8 When installing photovoltaic panels in the daytime, the photovoltaic panels should be covered with opaque materials to avoid the risks and danger of high voltage at the panel end in sunlight.

2.2 Statement






RECOM TECHNOLOGIES has the right not to undertake quality assurance in any of the following circumstances:

2.2.1 Damages caused by irregular transportation.

- 2.2.2 Damages caused by incorrect storage, installation or use.
- 2.2.3 Damages caused by installation and use of equipment by non-professionals or untrained personnel.
- 2.2.4 Damages caused by failure to comply with the instructions and safety warnings in the products and documents.
- 2.2.5 Damages caused by running in an environment that doesn't meet the requirements which stated in the documents.
- 2.2.6 Damages caused by operation beyond the parameters specified in applicable technical specifications.
- 2.2.7 Damages caused by unauthorized disassembly, alteration of products or modification of software codes.
- 2.2.8 Damages caused by abnormal natural environment (force majeure, such as lightning, earthquake, fire, storm, etc.).
- 2.2.9 Any damages caused by the process of installation and operation which don't follow the local standards and regulations.
- 2.2.10 Products beyond the warranty period.

2.3 Important Safety Matters




The following symbols may appear in this manual, which represent the following meanings:

Symbol	Description
 Danger	Used to warn of urgent dangerous situations, if not avoided, it could result in death or serious personal injury.
 Warning	Used to warn of potentially dangerous situations, if not avoided, it may result in death or serious personal injury.
 Caution	Used to warn of potentially dangerous situations, if not avoided, it may result in moderate or minor personal injury.
 Attention	Used to transmit the safety warning information about equipment or environment, if not avoided, it may cause equipment damage, data loss, equipment performance degradation or other unpredictable results. "Attention" does not involve personal injury.
 Note	Used to highlight important information, best practices and tips, etc. it's not warning, doesn't involve personal injury and equipment damage information.









2.4 Symbols Explanation

This chapter mainly elaborates the symbols displayed on the inverter, nameplate and packing box.





2.4.1 Symbols on the Inverter

Symbol	Description
	Inverter status indicator.
	Inverter running indicator.
	Grounding symbol, the inverter casing needs to be properly grounded.

2.4.2 Symbol on the Inverter nameplate

Symbol	Description
	The inverter cannot be disposed of with household waste.
	Please read the instructions carefully before installation.
	Do not touch any internal parts of the inverter until 5 min after being disconnected from the mains and PV input.
	CE mark, the inverter complies with the requirements of the applicable CE guidelines.
	TUV certification.
	Danger. Risk of electric shock!
	The surface is hot during operation and no touch is allowed.
	Electric shock hazard, it is strictly forbidden to use the person to disassemble the inverter casing.

2.4.3 Symbol on the Packing box

Symbol	Description
	Handle with care.
	This side up.
	Keep dry.
	Stacked layers.

3. Product Introduction

3.1 Basic Features

3.1.1 Function

The RECOM RCM 4~25-TP-D series is a three-phase grid-connected PV inverter which used to efficiently convert the DC power generated by the PV string into AC power and feed it into the grid.

3.1.2 The RCM 4~25-TP-D series inverter contains 10 models which are listed below:

RCM-4-TP-D, RCM-5-TP-D, RCM-6-TP-D, RCM-8-TP-D, RCM-10-TP-D, RCM-12-TP-D, RCM-15-TP-D, RCM-17-TP-D, RCM-20-TP-D, RCM-25-TP-D

3.1.3 Applicable grid type

The applicable grid types for the RECOM RCM 4~25-TP-D series are TN-S, TN-C, TN-C-S, IT and TT. When applied to the TT grid, the voltage of N to PE should be less than 30V. See Figure 3-1 for details:

3.1.4 Storage conditions

- 1) Inverter must be stored in its original packaging.
- 2) The storage temperature should be in the range of -30°C and $+60^{\circ}\text{C}$, and the relative humidity stored is less than 90%.
- 3) If a batch of inverters needs to be stored, the height of each pile should be no more than 6 levels.

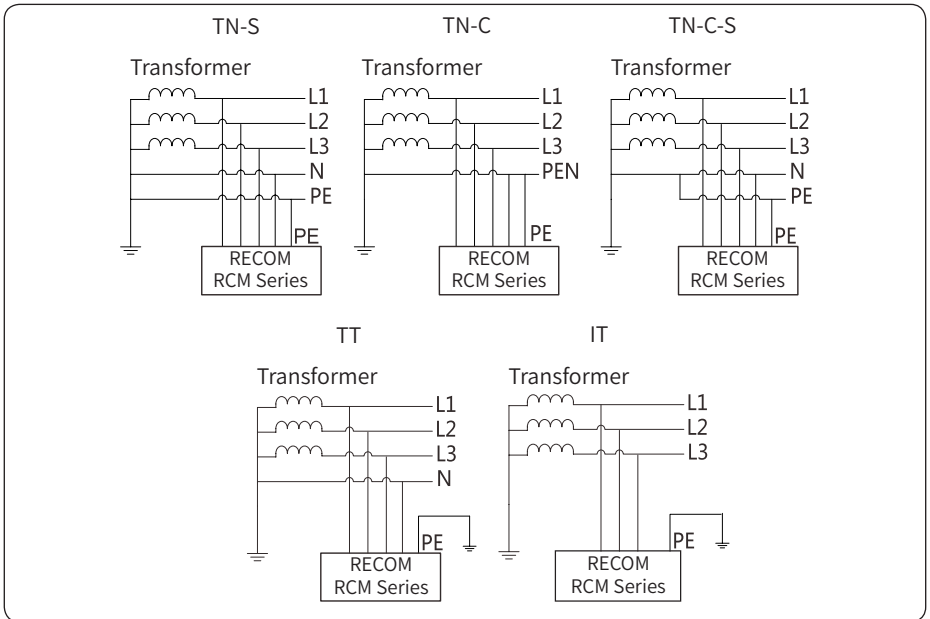


Figure 3-1 Applicable grid type

3.2 Appearance Introduction

3.2.1 Inverter front view, as shown in Figure 3-2:

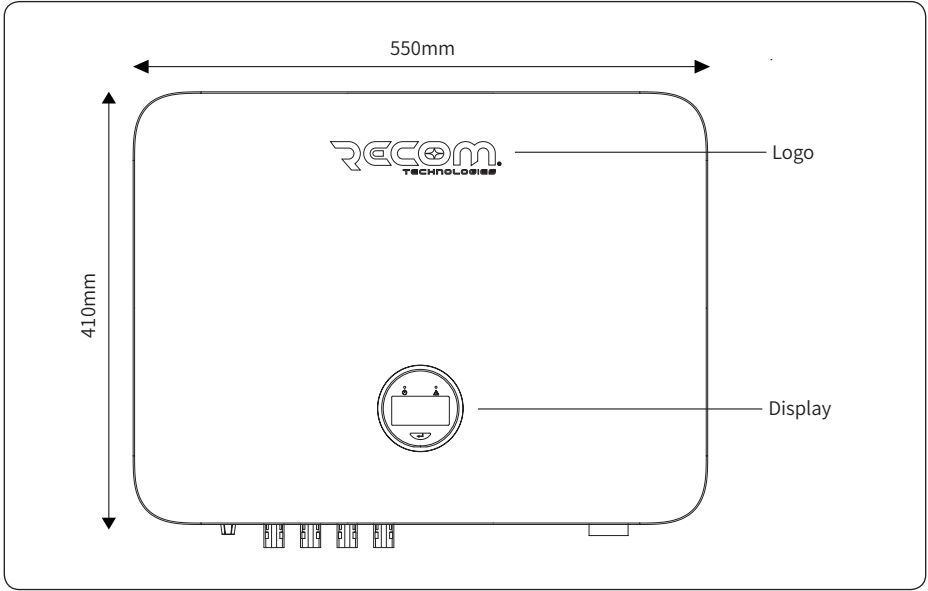


Figure 3-2 Front view

3.2.2 Inverter side view, as shown in Figure 3-3:

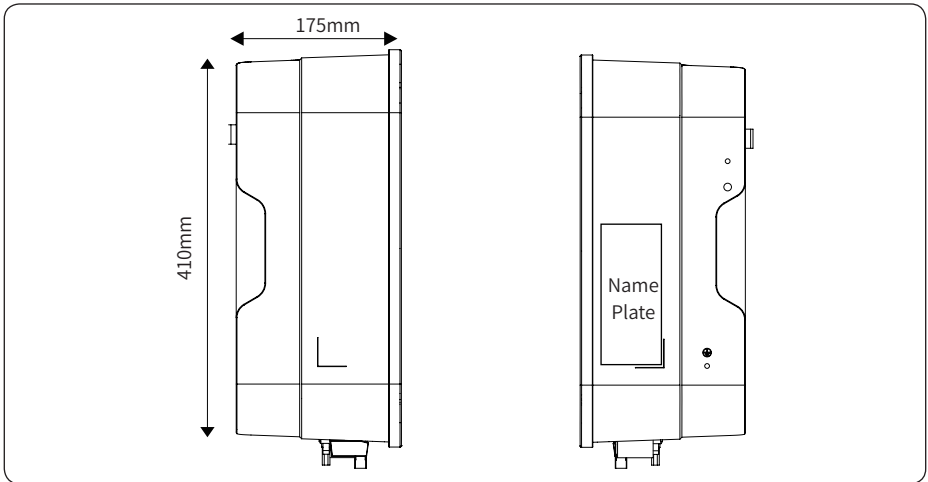


Figure 3-3 Side view

3.2.3 Inverter bottom view, as shown in Figure 3-4:

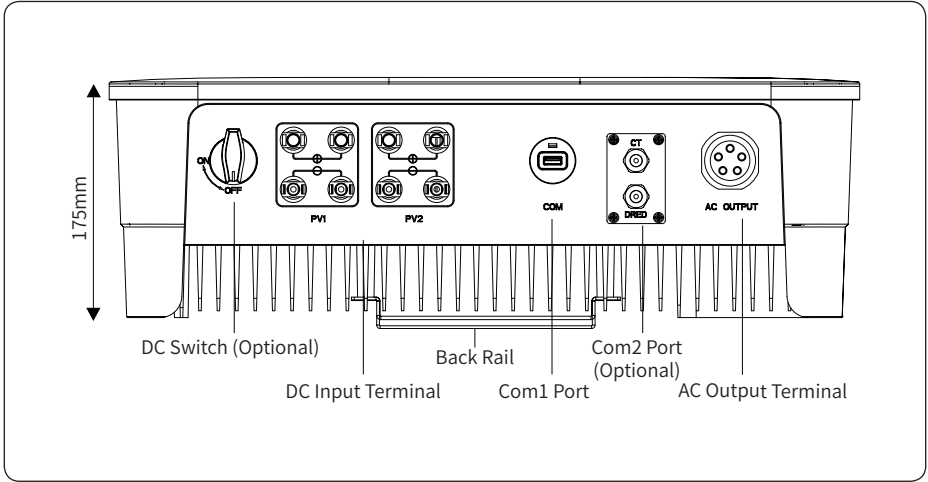


Figure 3-4 Bottom view

3.2.4 Inverter back view, as shown in Figure 3-5:

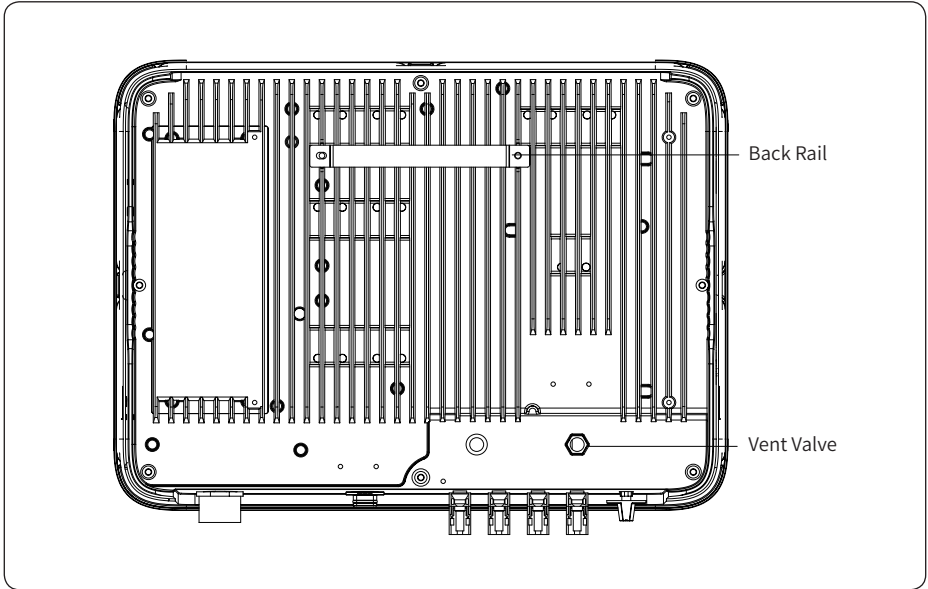


Figure 3-5 Inverter back view

3.3 Display Interface



Figure 3-6 Display interface

Item	Indicator	Status	Description
1	Power Indicator	Off	No input voltage detected or input voltage is too low.
		Slow flashing	Inverter powered on, waiting for the grid connection.
		Quick flashing	Inverter detected grid power and entered self-test status.
		Always on	Normal, grid-connected and power generated.
2	Alarm Indicator	Always on	An alarm or fault is detected, and the display can view the specific fault information.
		Off	The inverter is running normally.
		Slow flashing	The monitoring device is not connected to the router or is not connected to the base station.
		Quick flashing	The monitoring device is connected to the router or connected to the base station but not connected to the server.
3	OLED Display	On	Display the inverter operating information.
		Off	If the button pressed without any response, the screen is faulty or not well connected.
4	Button	Physical button	Switch OLED display information and set parameters by short press and long press.

3.4 Packing List

The package of the inverter includes the following accessories. Please check whether the accessories in the packing box are complete at the first time when receiving the goods. See Figure 3-7 for the packing list:

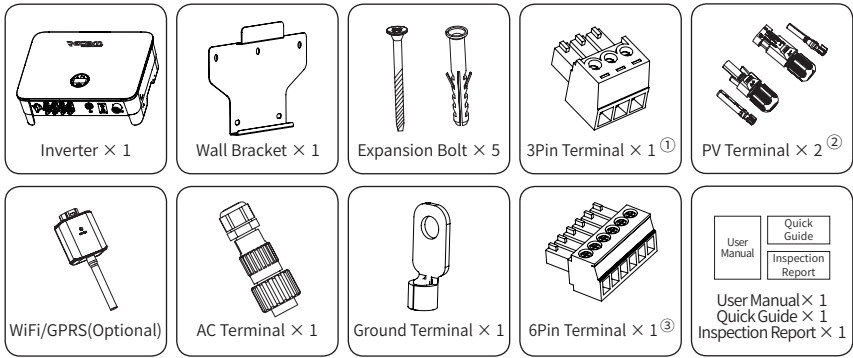


Figure 3-7 Packing list

Note	①	Anti-reverse version 2pcs / RS485 and DRED version 1pcs (This connector already pre-installed inside the inverter).
	②	RCM 4~12-TP-D 2pcs / RCM-15-TP-D 3pcs / RCM 17~25-TP-D 4pcs.
	③	DRED version only (This connector already pre-installed inside the inverter).

4. Product Installation

4.1 Selection of Installation Location

The RECOM RCM 4~25-TP-D series is designed with IP65 protection for indoor and outdoor installations. When selecting an inverter installation location, the following factors should be considered:

- 1) The wall on which the inverter is mounted must be strong and can withstand the weight of the inverter for a long time.
- 2) The inverter needs to be installed in a well-ventilated environment.
- 3) Do not expose the inverter directly to strong sunlight to prevent the power derating due to excessive temperature.
- 4) The inverter should be installed in a place with shelter to prevent direct exposure to sunlight and rain.
- 5) Install the inverter at the eye level for easy inspection of screen data and further maintenance.
- 6) The ambient temperature of the inverter installation location should be between -30 °C and 60 °C.
- 7) The surface temperature of the inverter may reach up to 75 °C. To avoid risk of burns, do not touch the inverter while it's operating and inverter must be installed out of reaching of children.

4.1.1 Recommended installation location of the inverter, as shown in Figure 4-1:



Figure 4-1 Recommended installation



Warning

Do not put flammable and explosive articles around the inverter.

4.1.2 The requirements for inverter installation spacing are shown in Figure 4-2:

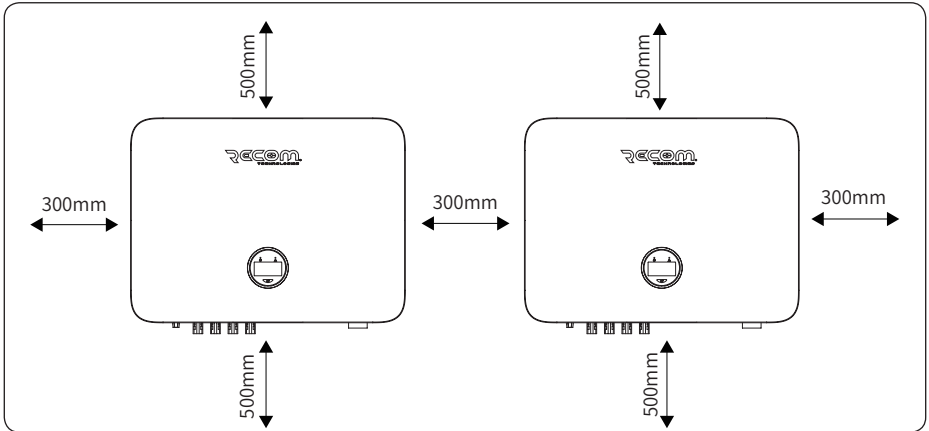


Figure 4-2 Recommended installation space

4.1.3 The installation angle of the inverter is recommended as shown in Figure 4-3:

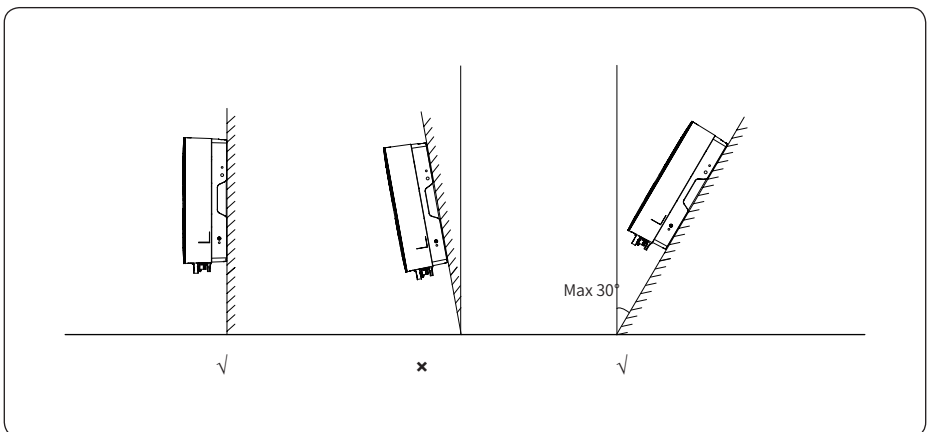


Figure 4-3 Recommended installation angle

4.2 Mounting the Inverter

4.2.1 Wall bracket installation

Dimensions of wall bracket, see Figure 4-4:

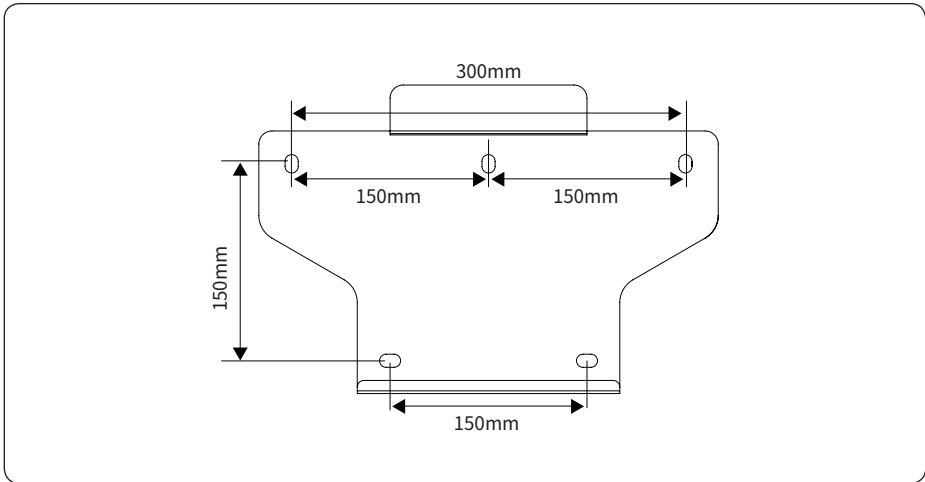


Figure 4-4 Dimensions of wall bracket

1) Use the wall bracket as the template to mark the position of 5 holes on the wall. See Figure 4-5 for details:

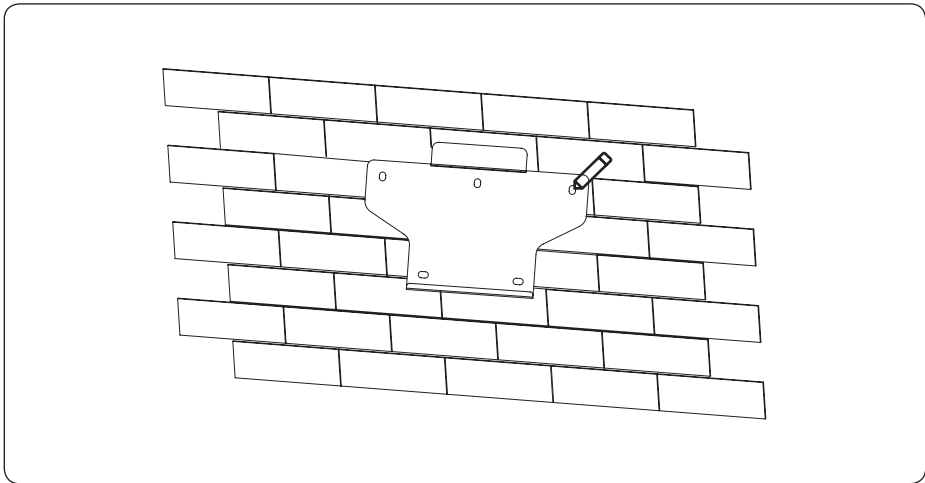



Figure 4-5 Mark the hole position

2) Use an electrical driller with 10mm diameter bit to drill 5 holes on the wall and make sure hole depth is 80mm.

	Warning	Before drilling, make sure to avoid the buried water tube and electric wires in the wall to avoid danger.
---	----------------	---

3) Insert the expansion tubes into the holes and tighten them, then fix the bracket onto the wall with expansion screws by using a cross screwdriver, as shown in Figure 4-6:

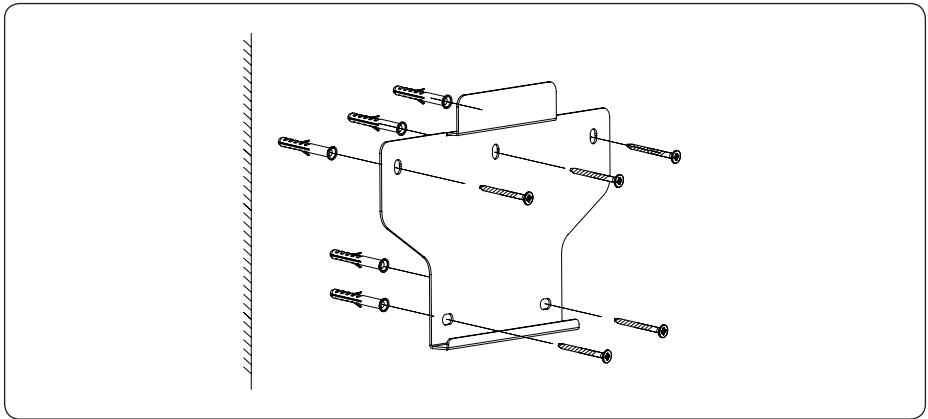


Figure 4-6 Fix the wall bracket

4.2.2 Mounting the inverter

Lift up the inverter with both hands, hang the back rail on the fixed wall bracket carefully, see Figure 4-7 for details:

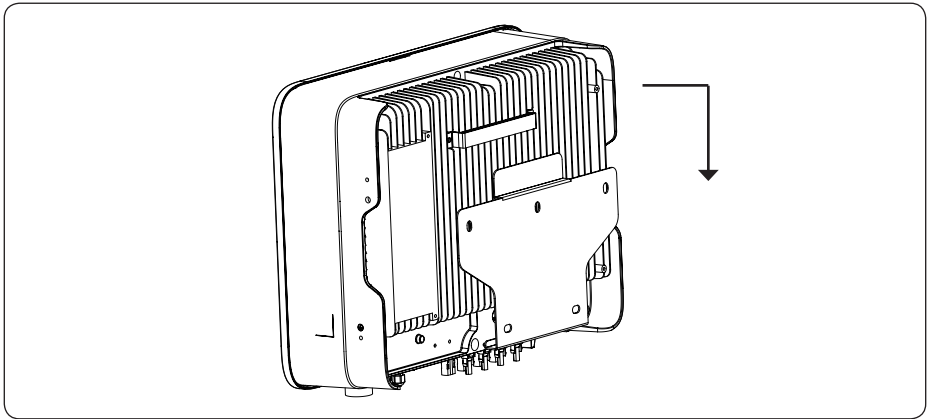







Figure 4-7 Mounting the inverter

4.3 Electrical Connection

Danger hint

 Danger	A high voltage in the conductive part of the inverter may cause an electric shock. When performing any installation on the inverter, make sure that the AC and DC sides of the inverter are completely de-energized.
 Warning	Do not ground the positive or negative pole of the PV string, otherwise it will cause serious damage to the inverter.
 Warning	Static may cause damage to the electronic components of the inverter. Anti-static measures should be taken during the repairing or installation.
 Attention	Do not use other brands or other types of PV terminals other than the PV terminal in the accessory package. RECOM TECHNOLOGIES has the right to refuse all damages caused by the mixed-use of terminals.
 Attention	Moisture and dust can damage the inverter, ensure the cable gland is securely tightened during installation. The warranty claim will be invalidated if the inverter damaged by the cable connector not well installed.

4.3.1 Inverter PV string connection

4.3.1.1 The following principles must be considered when making electrical connections to the inverter:

- 1) Disconnect the AC breaker on the grid side.
- 2) The DC switch of the inverter must be turned to the "OFF" position.
- 3) The number and type of the PV panels connected in the two strings of one MPPT must be same.
- 4) Make sure the maximum output voltage of each PV string does not exceed 1100V.

4.3.1.2 DC connector assembly procedures

- 1) Select the appropriate photovoltaic cable:

Cable type	Conductor cross-sectional area (mm ²)	
	Scope (mm ²)	Recommended value (mm ²)
General photovoltaic cable	2.5-4.0	4.0

- 2) Peel off the DC cable insulation sleeve for 7 mm, as shown in Figure 4-8:

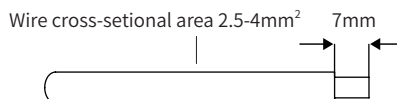


Figure 4-8

3) Disassemble the connector in the accessory bag, as shown in Figure 4-9:

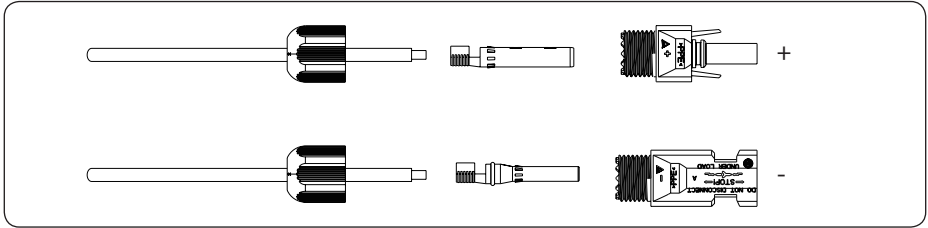


Figure 4-9

4) Insert the DC cable through the DC connector nut into the metal terminal and press the terminal with a professional crimping plier (pull back the cable with some power to check if it's tight enough), as shown in Figure 4-10:

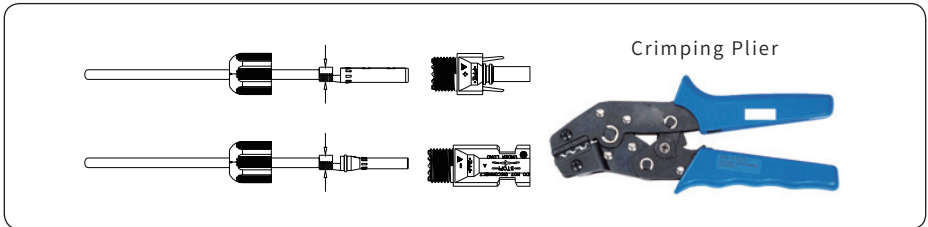


Figure 4-10

5) Insert the positive and negative cables into the corresponding positive and negative connectors, pull back the cable to ensure that the terminal is tightly attached in the connector.
6) Use an open-end wrench to screw the nut to the end to ensure that the terminal is well sealed, as shown in Figure 4-11:

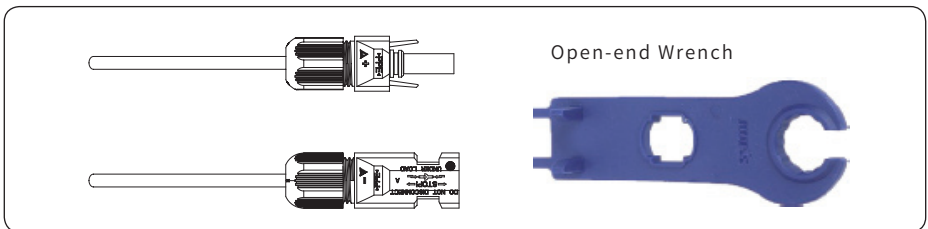


Figure 4-11

	Warning	<ol style="list-style-type: none">1. Before assembling the DC connector, make sure that the cable polarity is correct.2. Use a multimeter to measure the voltage of the DC input string, verify the polarity of the DC input cable, and ensure that each string voltage is within 1000V.
--	----------------	---

7) Insert the positive and negative connectors into the inverter DC input terminals respectively, and a "click" sound represents the assembly in place, as shown in Figure 4-12:

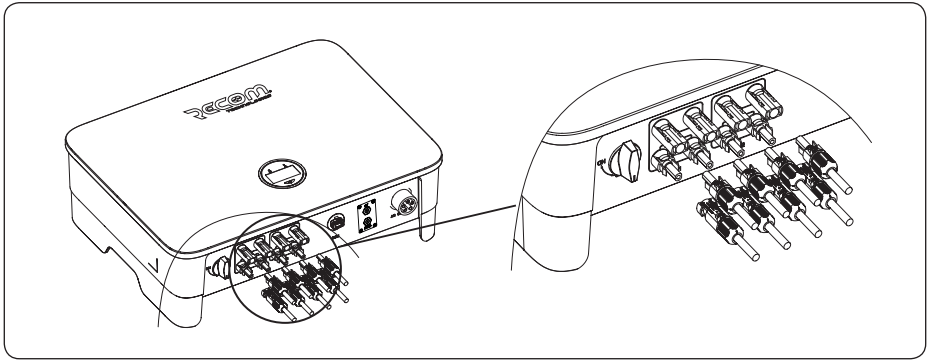



Figure 4-12

4.3.2 Connection of AC output

The RECOM RCM 4~25-TP-D series three phase inverter applies to the three-phase power grid with a voltage of 230/400V and a frequency of 50/60Hz.

The recommended cable and AC breaker for the RECOM RCM 4-25TP-D series three phase inverter are shown in the following table:

Model	RCM-4-TP-D	RCM-5-TP-D	RCM-6-TP-D	RCM-8-TP-D	RCM-10-TP-D	RCM-12-TP-D	RCM-15-TP-D	RCM-17-TP-D	RCM-20-TP-D	RCM-25-TP-D
Copper Cable	2.5 -10mm ²	2.5 -10mm ²	2.5 -10mm ²	3.2 -10mm ²	4-10mm ²	6-10mm ²	6-10mm ²	8-10mm ²	8-10mm ²	8-10mm ²
Breaker	20A	20A	20A	20A	32A	32A	32A	40A	40A	50A

	<p>Warning</p>	<p>An AC breaker must be connected on the AC side of the inverter. Any loads cannot be directly connected to the inverter.</p>
---	-----------------------	--

4.3.2.1 AC connector connection steps

1) Take the AC connector out of the accessory bag and disassemble it, as shown in Figure 4-13:

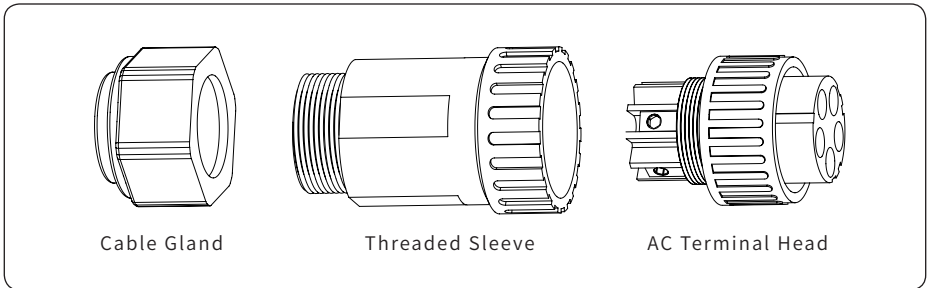


Figure 4-13

2) According to the table above, select an appropriate copper cable, peel the insulation sleeve of AC cable off for 50mm, and peel off the end of 3L /PE / N wires for 8mm, as shown in Figure 4-14:

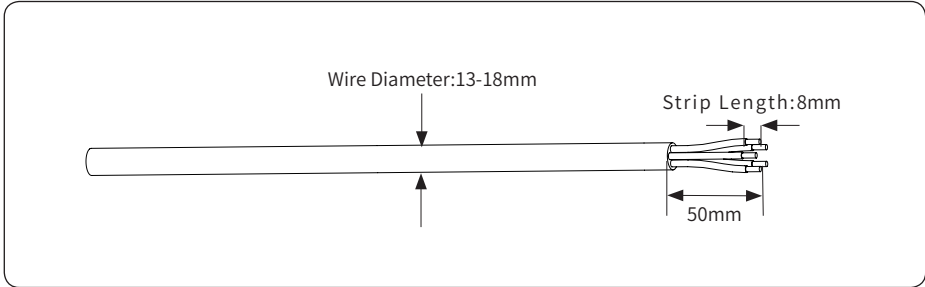


Figure 4-14

3) Insert the stripped end of the five wires into the appropriate hole of the terminal head by following the rules: yellow green wire to PE port, red or brown fire wires to L ports (no requests for the sequence of three fire wires), and blue or black wire to the N port. Please try to pull out the cable to make sure it's well connected. As shown in Figure 4-15:

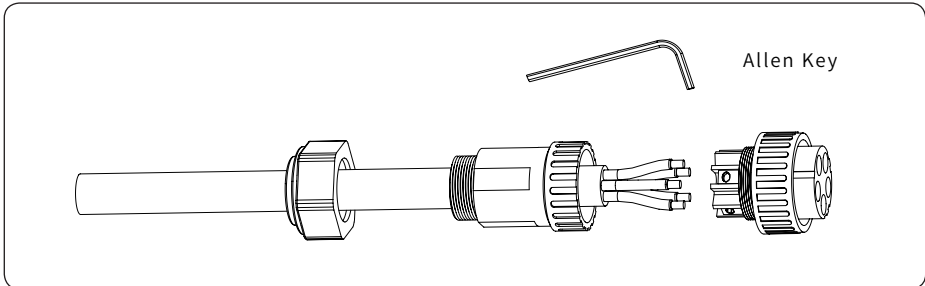


Figure 4-15

4) According to the arrow direction to push the threaded sleeve to make it connected with the AC terminal head and then rotate the cable gland clockwise to lock it. As shown in figure 4-16:

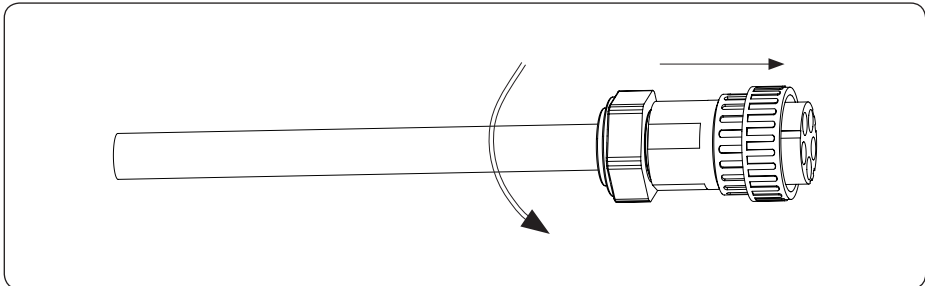


Figure 4-16

5) Connect the AC connector to the inverter AC terminal, and rotate the AC connector buckle clockwise until its tight enough. As shown in figure 4-17:

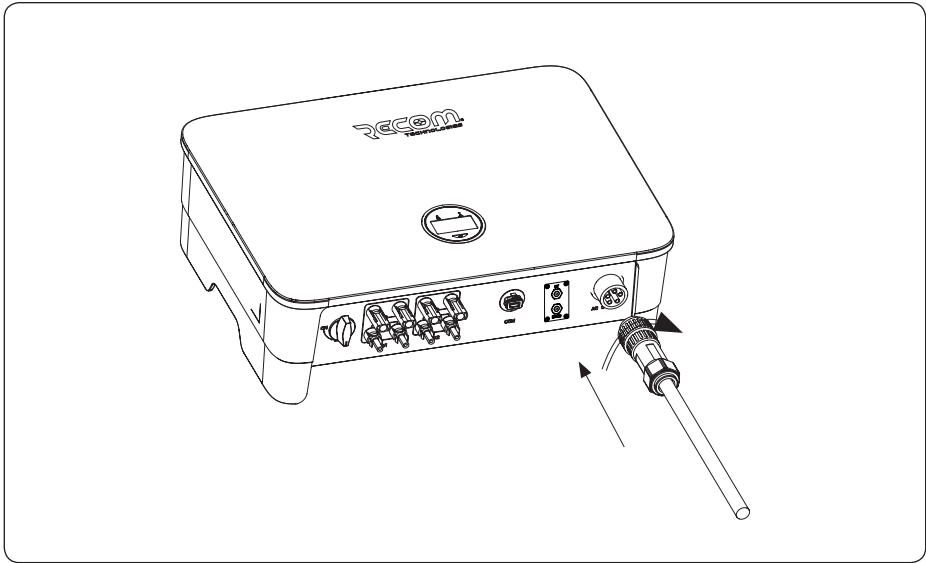




Figure 4-17 Connect the AC connector

4.3.3 External ground connection

Connect the inverter and ground bar through PE wire to achieve the purpose of grounding protection.

 <p>Danger</p>	<p>Do not connect the N-wire as a protective ground wire to the inverter casing. Otherwise, it may cause electric shock.</p>
 <p>Attention</p>	<p>Good grounding is good for resisting surge voltage shock and improving EMI performance. Inverters must be well-grounded. For a system with only one inverter, just ground the PE cable. For a multi-inverter system, all inverters PE wire need to be connected to the same grounding copper bar to ensure equipotential bonding.</p>

Ground terminal connection steps:

- 1) The external grounding terminal is located in the lower right side of the inverter.
- 2) Fix the grounding terminal to the PE wire with a proper tool and lock the grounding terminal to the grounding hole in the lower right side of the inverter. As shown in Figure 4-18:
- 3) The cross-sectional area of the external grounding cable is 4mm².

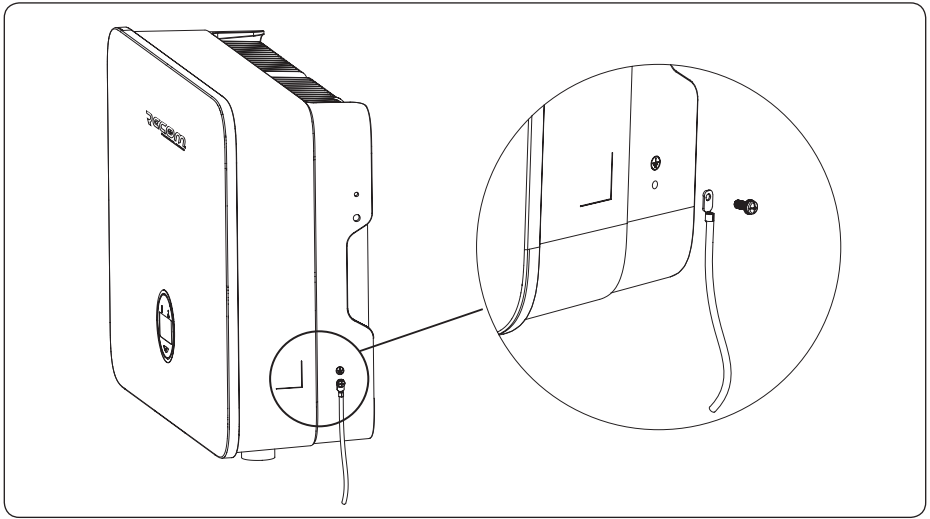


Figure 4-18 Grounding terminal connection

4.4 Monitoring Device Installation

RECOM RCM 4~25-TP-D series three phase inverter supports WiFi, GPRS and RS485 communication, you can choose according to your specific needs.

Plug the WiFi or GPRS module into the COM1 port in the bottom of inverter by following the direction the side with indicator is up (as shown in Figure 4-19). A slight “click” sound during the installation represents that the assembly is in place.

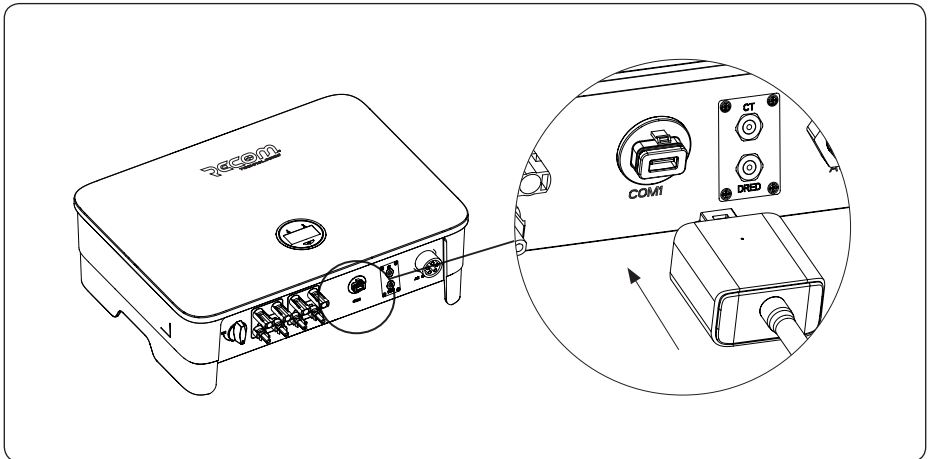




Figure 4-19 Monitoring device installation

 <p>Note</p>	<p>1.The GPRS version module does not need to be configured.</p> <p>2.The WiFi version module needs to be configured to the router for the first installation, and if the router name or password changed, you need to configure it again. For details, please refer to the [QUICK INSTALLATION GUIDE] which attached in the accessory bag.</p>
 <p>Attention</p>	<p>Don't touch the waterproof plug in the card slot unless replace the SIM card. If the SIM card needs to be replaced, please make sure the card slot is completely sealed by waterproof plug after replacing. Any damages caused by the waterproof plug sealing problem will be invalid of warranty.</p>

4.5 RS485/DRED Connection

4.5.1 Terminals definition

Inverter communication ports are located at the rear of the CT/DRED plate at the bottom and include RS485 port (used for Meter or Datalogger connection), and DRED port, as shown in Figure 4-20:

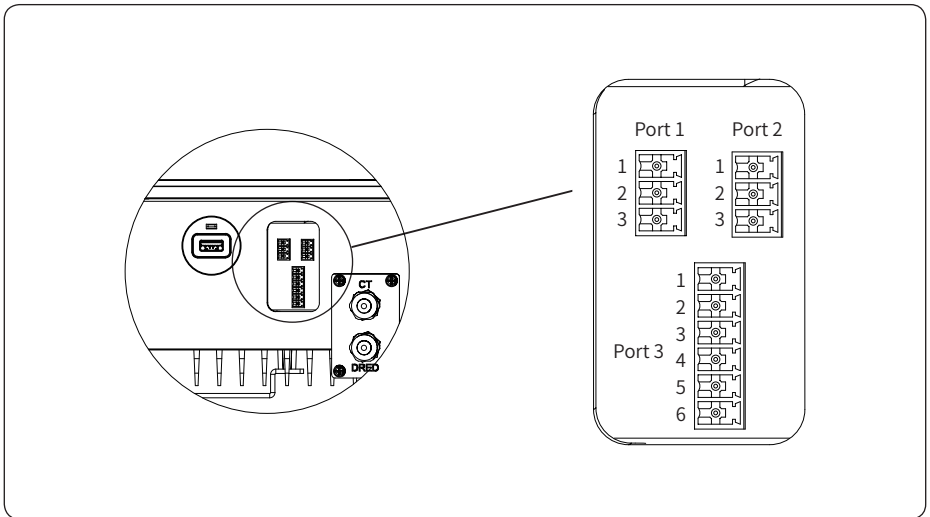



Figure 4-20

 <p>Note</p>	<p>1.This port is available on anti-reverse, RS485 and DRED version inverter only.</p> <p>2.The Pin connector in inverter Port1 and Port2 may various from 2Pin to 3pin according to the shipment version, subject to the version actually received.</p>
---	--

Different versions of the inverter have different terminals, which are defined as below:

Port	Function	NO.	Definition
Port 1	<p>1.Only Anti-reverse version with this port.</p> <p>2.Connect external Meter (With 3CTs) to realize the anti-reverse function on RECOM RCM series inverter.</p>	1	RS485 A
		2	RS485 B
		3	PE/NULL
Port 2	<p>1.Anti-reverse/RS485/DRED version with this port.</p> <p>2.In case of multiple inverters, all the inverters can be connected via RS485 cables in the daisy chain manner to realize the communication.</p>	1	RS485 A
		2	RS485 B
		3	PE/NULL
Port 3	<p>1.Only DRED version with this port.</p> <p>2.DRED means demand response enable device. The AS/NZS 4777.2:2015 requires inverters to support demand response mode (DRM). This function is for inverter that comply with AS/NZS4777.2:2015 standard.</p> <p>3.RECOM inverter is fully complied with all DRM. The 6pin connector is used for DRM connection.</p> <p>4.Support DRM command: DRM0, DRM5, DRM6, DRM7, DRM8.</p>	1	COM/DRMO
		2	REFGEN
		3	DRM4/8
		4	DRM3/7
		5	DRM2/6
		6	DRM1/5

4.5.2 RS485 Communication

RCM 4~25-TP-D series three-phase inverter supports multiple inverters connection to a data logger in a daisy chain manner through RS485 protocol.

Multiple inverters connection diagram as shown in Figure 4-21:

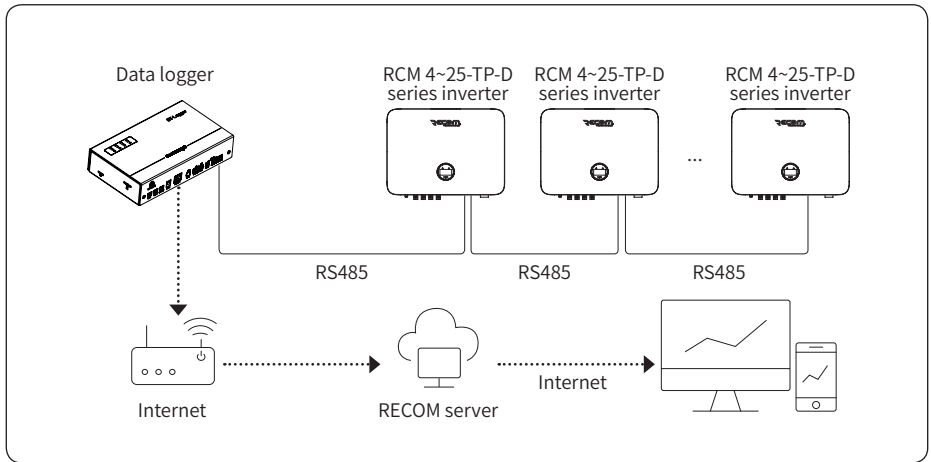


Figure 4-21

The maximum distance between the inverter at the end of the daisy chain and the Datalogger should be within 1000M.

	Attention	Suggest using the RS485 communication cable with a cross-sectional area of 0.75-1.5mm ² and an outer diameter of 5mm-10mm. RS485 cable requirements: Shielded twisted-pair cable or shielded twisted Ethernet cable.
--	------------------	--

4.5.3 Anti-reverse or power limit solution

Anti-reverse or power limit solution, wiring instructions and configuration, please contact RECOM TECHNOLOGIES after-sales at info@recom-solar.com.

4.5.4 Connection steps:

- 1) Remove the CT/DRED plate in the bottom of the inverter with a cross screwdriver.
- 2) Put the cables which you need through the components in the following order: screw cap, sealing ring, insulator, metal plate, nut and 3/6pin connector, as shown in Figure 4-22:
- 3) Insert the cable to the port in the 3/6pin connector and fasten with a screwdriver.
- 4) Insert the 3/6pin connector into the 3/6pin connector inside the inverter, and screw the CT/DRED plate back with a cross screwdriver, as shown in Figure 4-23:

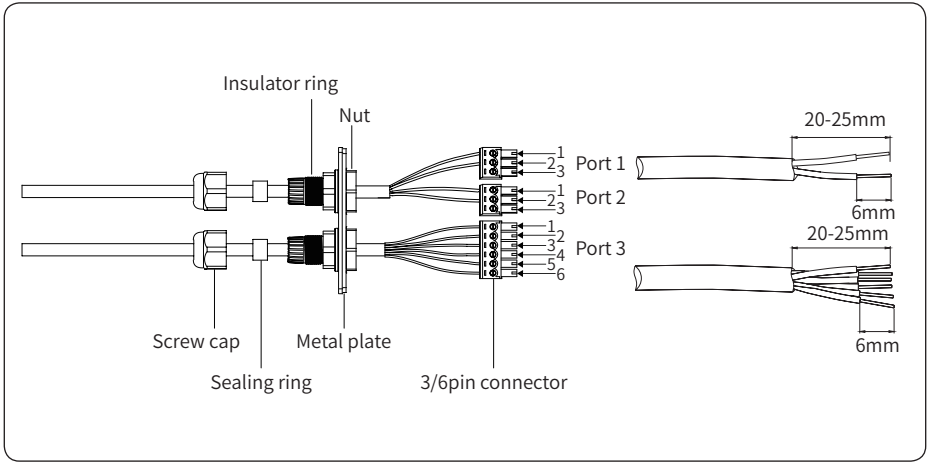


Figure 4-22

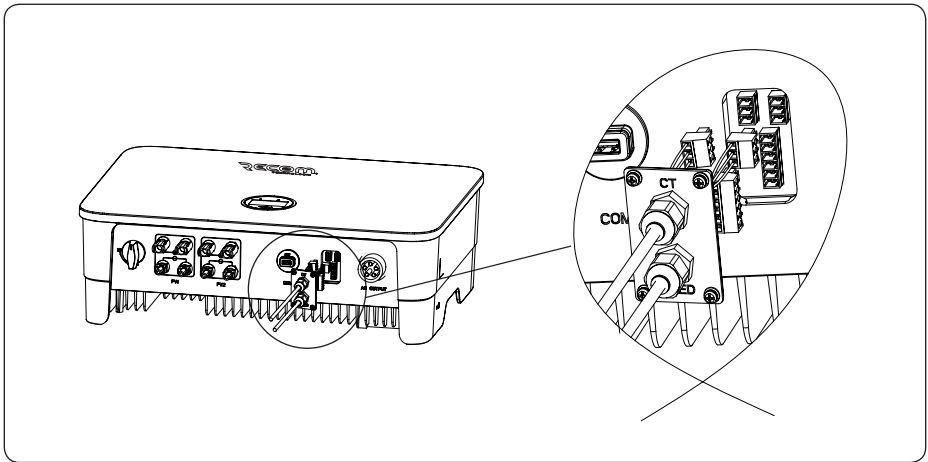


Figure 4-23

4.6 System Layout of Units without Integrated DC Switch

Local standards or codes may require that PV systems are fitted with an external DC switch on the DC side. The DC switch must be able to safely disconnect the open-circuit voltage of the PV array plus a safety reserve of 20%. Install a DC switch to each PV string to isolate the DC side of the inverter. We recommend the following electrical connection:

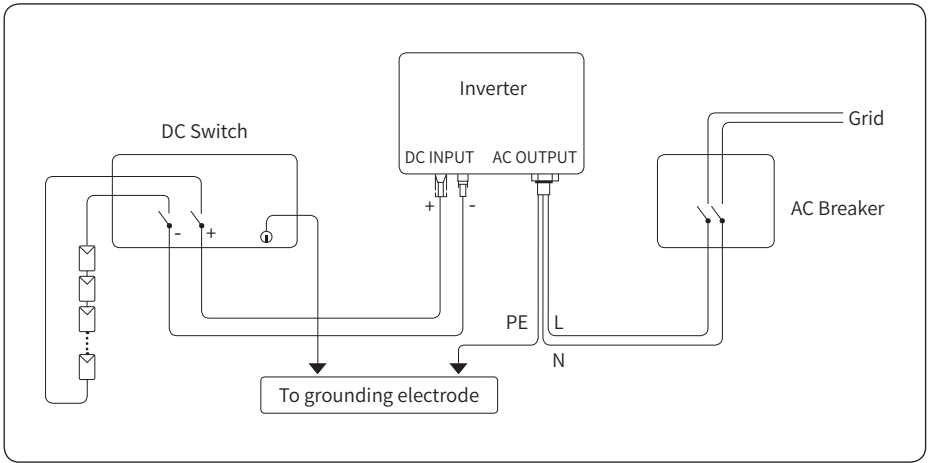


Figure 4-24

5. Start and Stop

5.1 Start Inverter

When starting the inverter, follow these steps:

- 1) Turn on the AC breaker first.
- 2) Turn on the DC switch in the bottom. If the PV string voltage higher than the inverter start-up voltage, the inverter will start.
- 3) When both AC and DC power supply are normal, the inverter is ready to start. The inverter will initiate from checking its internal parameters and grid parameters, if it's within the range, the green light on the left side of the screen begins to flash, and the "Waiting" message will be displayed on the OLED display.
- 4) After self-checking completed, the inverter will start generating electricity, the green light will remain on, and the OLED display will display real-time power information.

5.2 Stop Inverter

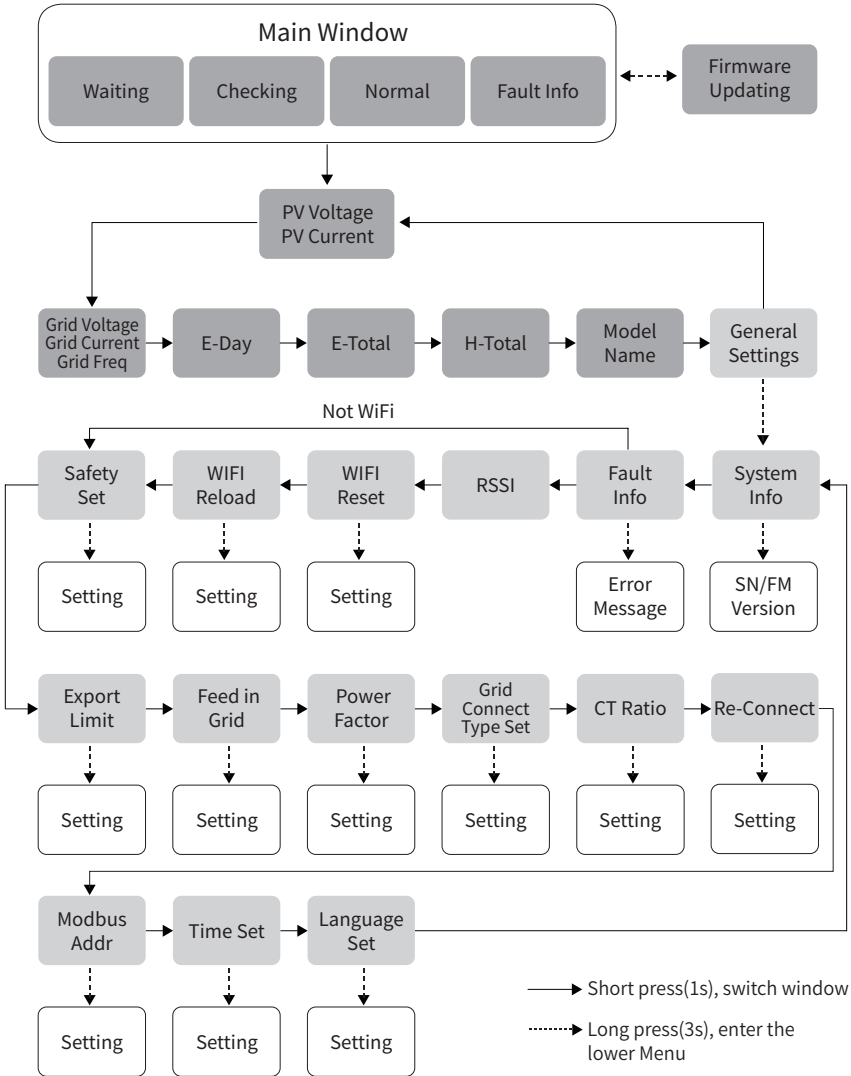
When turning off the inverter, please follow the steps below:

- 1) Turn off the AC breaker first.
- 2) Wait 30 seconds and then turn the DC switch to the "OFF" position. At this time, there is remaining power in the inverter capacitor. Wait for 5 minutes until the inverter is completely de-energized before operating.
- 3) Disconnect the AC and DC cables.

6. General Operation

6.1 Display Operation

When the inverter is turned on, the following interfaces will be displayed on the OLED display, and you can check the information and modify the parameters of the inverter by short or long pressing the button. Please refer to the following display operation flow for details:



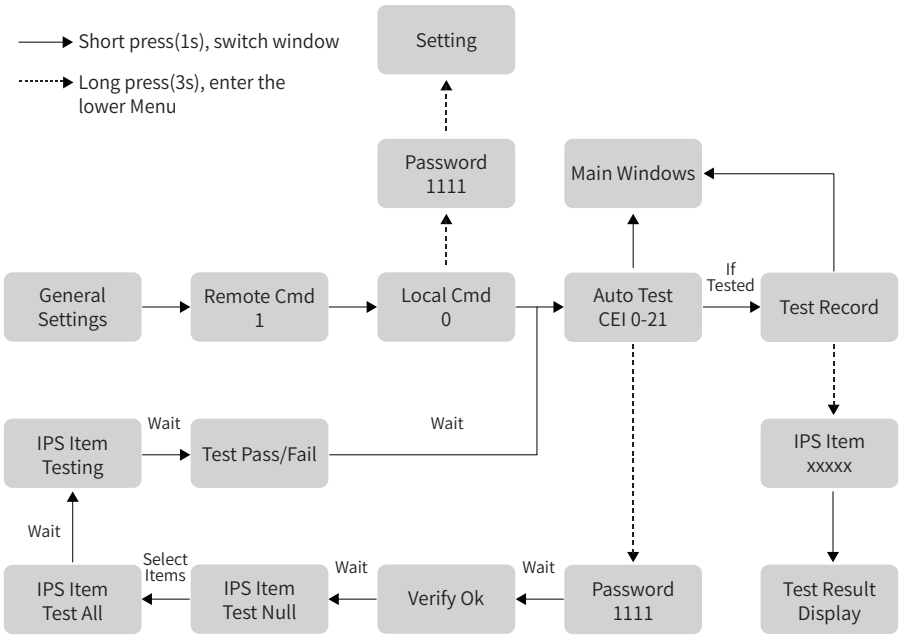
Tip: After every setting completed, wait for 10 seconds and the inverter will automatically save your settings or modifications.

6.2 Auto-Test

This function is disabled by default, and only will be functional in the safety code of Italy. Short press the button several times until “Auto Test CEI 0-21” displays on the screen, press and hold the button 3 seconds to activate “Auto Test”. After the auto test finished, short press the button several times until the screen displays “Auto Test Record”, and hold the button 3 seconds to check the test result.

The auto test type will be chosen from “Remote” and “Local” before starting the auto test. “Remote” is set as 1 by default, which only can be modified to “0” by sending an external command and “Local” is set as 0 by default, which can be modified to 1 through operating the button on the inverter. According to the requirements of the standard, the test has been divided into three modes:

- 1) “Remote” set as 1, “Local” set as 0, then the test order is 59.S1, 59.S2, 27.S1, 81>.S2, 81<.S2;
 - 2) “Remote” set as 1, “Local” set as 1, then the test order is 59.S1, 59.S2, 27.S1, 81>.S1, 81<.S1;
 - 3) “Remote” set as 0, “Local” set as 1, then the test order is 59.S1, 59.S2, 27.S1, 81>.S2, 81<.S2.
- Connect the AC cable, auto test will start after the inverter connected to the grid, see the operation steps below:



The auto test will start when the correct test item is selected, and the test result will be displayed on the screen when it finished. If the test success, it will display “Test Pass”, otherwise will display “Test Fail”. After each item tested, the inverter will reconnect to the grid and automatically start the next test item according to the requirements of CEI 0-21.

7. Troubleshooting





7.1 Fault Messages

RECOM RCM 4~25-TP-D series three-phase inverter is designed in accordance with grid operation standard, and conform to the requirements of the safety and EMC. The inverter had passed a series of rigorous tests to ensure it runs sustainably and reliably before shipment. When a fault occurs, the corresponding fault messages will display on the OLED display, and in this case, the inverter might stop feeding into grid.

The fault messages and their corresponding troubleshooting methods are listed below:

Error Message	Troubleshooting
No Display	<ol style="list-style-type: none"> 1. Check whether cables are all firmly connected and DC switch is on. 2. Check whether the input voltage meets the working voltage.
Mains Lost	<ol style="list-style-type: none"> 1. Check whether the mains supply is lost. 2. Check whether the AC breaker and terminals are well connected.
Grid Voltage Fault	<ol style="list-style-type: none"> 1. Check whether the safety regulation setting is correct. 2. Check the voltage of the grid. If the grid voltage exceeds the allowed range of inverter protection parameters, please contact the local grid company to resolve. 3. Check whether the impedance of the AC cable is too high to lead the grid voltage increased. Change a thicker AC cable if it is.
Grid Frequency Fault	<ol style="list-style-type: none"> 1. Check whether the safety regulation setting is correct. 2. Check the frequency of the grid. If the grid frequency exceeds the allowed range of inverter protection parameters, please contact the local grid company to resolve.
ISO Over Limitation	<ol style="list-style-type: none"> 1. Check whether the PV panels, cables, and connectors are broken or water leaked. 2. Check whether there is a reliable inverter grounding line.
GFCI Fault	<ol style="list-style-type: none"> 1. The ground current is too high. 2. Check whether the PV cable has a short circuit to ground.
PV Over Voltage	<ol style="list-style-type: none"> 1. Input voltage is too high. 2. Reduce the number of PV panels to make sure the open-circuit voltage of each string is lower than the inverter max allowed input voltage.
Inverter Over Temperature	<ol style="list-style-type: none"> 1. Check whether the inverter is direct exposure to the sunlight. 2. Reduce ambient temperature.
DCI Fault	<ol style="list-style-type: none"> 1. Restart the inverter, wait a moment for inverter recovery. 2. If the fault occurs repeatedly, please contact RECOM TECHNOLOGIES.
Bus Voltage Fault	
SCI Fault	
SPI Fault	
E2 Fault	
GFCI Device Fault	
AC Transducer Fault	
Relay Check Fail	
Flash Fault	
Fan Fault	
Fan Fault	<ol style="list-style-type: none"> 1. Stop the inverter and disconnect the AC&DC cables. 2. Check whether the fan is blocked by foreign matters. If not, replace the fan.

7.2 Maintenance

 <p>Danger</p>	<p>Risk of inverter damage or personal injury due to incorrect service! Always keep in mind that the inverter is powered by dual sources: PV strings and utility grid. Before any service work, observe the following procedure. 1.Disconnect the AC circuit breaker and then set the DC load-break switch of the inverter to OFF; 2.Wait at least 5 minutes for inner capacitors to discharge completely; 3.Verify that there is no voltage or current before pulling any connector.</p>
 <p>Caution</p>	<p>Keep non-related persons away! A temporary warning sign or barrier must be posted to keep non-related persons away while performing electrical connection and service work.</p>
 <p>Attention</p>	<p>Restart the inverter only after removing the fault that impairs safety performance. As the inverter contains no component parts that can be maintained, never arbitrarily replace any internal components. For any maintenance need, please contact RECOM TECHNOLOGIES. Otherwise, RECOM TECHNOLOGIES shall not be held liable for any damage caused.</p>
 <p>Note</p>	<p>Servicing of the device in accordance with the manual should never be undertaken in the absence of proper tools, test equipment or the latest revision of the manual which has been clearly and thoroughly understood.</p>

Items	Methods	Period
System clean	<p>Check the temperature and dust of the inverter. Clean the inverter enclosure if necessary. Check if the air inlet and outlet are normal. Clean the air inlet and outlet if necessary.</p>	Six months to a year (it depends on the dust contents in air.)

8. Technical Parameters

Model	RCM-4-TP-D	RCM-5-TP-D	RCM-6-TP-D	RCM-8-TP-D	RCM-10-TP-D	RCM-12-TP-D	RCM-15-TP-D	RCM-17-TP-D	RCM-20-TP-D	RCM-25-TP-D
DC Input										
Start-up Voltage (V)	180	180	180	180	180	180	180	180	180	180
Max. DC Input Voltage (V)	1,100	1,100	1,100	1,100	1,100	1,100	1,100	1,100	1,100	1,100
Min. DC Voltage (V)	150	150	150	150	150	150	150	150	150	150
Rated DC Input Voltage (V)	620	620	620	620	620	620	620	620	620	620
MPPT Voltage Range (V)	160-1000									
Full power MPPT Voltage Range (V)	200 ~850	240 ~850	280 ~850	370 ~850	470 ~850	560 ~850	470 ~850	400 ~850	470 ~850	585 ~850
No. of MPP Trackers	2	2	2	2	2	2	2	2	2	2
No. of DC Inputs per MPPT	1/1	1/1	1/1	1/1	1/1	1/1	1/2	2/2	2/2	2/2
Max. Input Current (A)	15/15	15/15	15/15	15/15	15/15	15/15	15/30	30/30	30/30	30/30
Max. Short-circuit Current (A)	20/20	20/20	20/20	20/20	20/20	20/20	20/40	40/40	40/40	40/40
Backfeed current to the array (A)	0	0	0	0	0	0	0	0	0	0
AC Output										
Rated Output Power (KW)	4	5	6	8	10	12	15	17	20	25
Max. Output Power (KW)	4.4	5.5	6.6	8.8	11	13.2	16.5	18.7	22	25
AC output rated apparent power (KVA)	4	5	6	8	10	12	15	17	20	25
Max. Apparent Power (KVA)	4.4	5.5	6.6	8.8	11	13.2	16.5	18.7	22	25
Rated Output Voltage (V)	3L/N/PE, 230/400V									
Rated AC Frequency (Hz)	50/60	50/60	50/60	50/60	50/60	50/60	50/60	50/60	50/60	50/60
AC output rated current (A)	5.8	7.3	8.7	11.6	14.5	17.4	21.7	24.6	29	36.2
Max. Output Current (A)	6.7	8.4	10	13.3	16.5	20	25	28.4	31.9	39
The measured Inrush current (A)	7A@4.4ms					7A@4ms			8.5A@4ms	
Max. output fault current (A)	33	33	33	33	40	40	66	66	76	76
Max. output overcurrent protection (A)	33	33	33	33	40	40	66	66	76	76
Power Factor	0.8 leading ...0.8 lagging									
Max. total harmonic distortion	< 3% @Rated Output Power									
DCI	< 0.5%In									

Model	RCM-4-TP-D	RCM-5-TP-D	RCM-6-TP-D	RCM-8-TP-D	RCM-10-TP-D	RCM-12-TP-D	RCM-15-TP-D	RCM-17-TP-D	RCM-20-TP-D	RCM-25-TP-D	
Efficiency											
Max. Efficiency	98.1%	98.1%	98.3%	98.3%	98.6%	98.6%	98.6%	98.6%	98.6%	98.6%	
European Efficiency	97.9%	97.9%	98.0%	98.0%	98.2%	98.2%	98.2%	98.2%	98.2%	98.2%	
MPPT Efficiency	99.9%	99.9%	99.9%	99.9%	99.9%	99.9%	99.9%	99.9%	99.9%	99.9%	
Protection											
DC Reverse Polarity Protection	Integrated										
Insulation Resistance Protection	Integrated										
DC Switch	Optional										
Surge Protection	Integrated (Type II)										
Over-temperature Protection	Integrated										
Residual Current Protection	Integrated										
Islanding protection	Frequency shift, Integrated										
AC Short-circuit Protection	Integrated										
AC Over-voltage Protection	Integrated										
General Data											
Dimensions (mm)	550W*410H*175D										
Weight (kg)	23					26		29			
Protection Degree	IP65										
Self-consumption at Night (W)	< 1										
Topology	Transformerless										
Operating Temperature Range (° C)	-30~60										
Relative Humidity	0~100%										
Operating Altitude (m)	3000										
Cooling	Natural Convection							Smart Fan Cooling			
Noise Level (dB)	< 25					< 40					
Display	OLED & LED										
Communication	RS485, WiFi/ GPRS/LAN (Optional)										
Compliance	NB/T32004、IEC62109、IEC62116、VDE4105、VDE0126、UTE C15-712-1、AS4777、C10/11、CEI0-21、RD1699、NBR16149、IEC61727、IEC60068、IEC61683、EN50549、EN61000										



www.recom-solar.com